

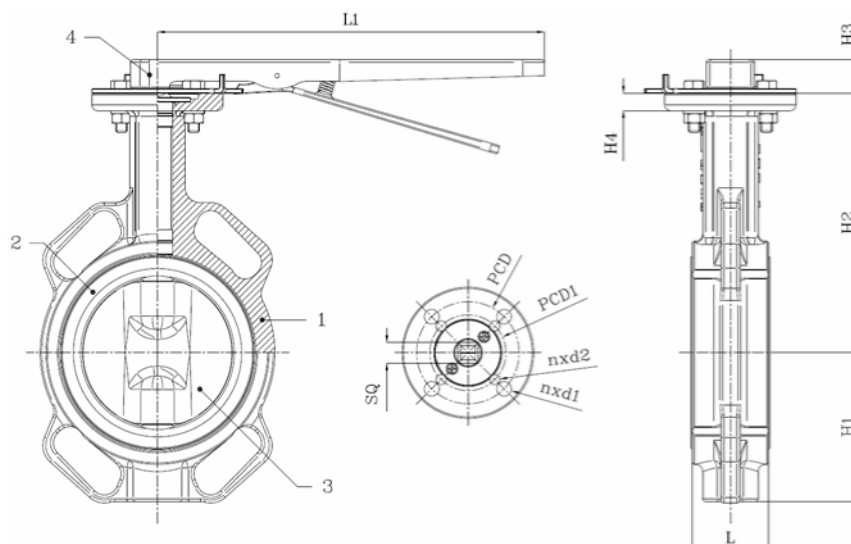
## BV10-2366E-PN10/PN16/A150 - Lever

Wafer type butterfly valve, mounting between flanges PN10/PN16/A150, with lever

Face to Face Standard: EN 558-1 Table 1 series 20



Item Number	Belven Ref
101026E1032	BV10-2366E-PN16-DN032 - LEVER
101026E1040	BV10-2366E-PN16-DN040 - LEVER
101026E1050	BV10-2366E-PN16-DN050 - LEVER
101026E1065	BV10-2366E-PN16-DN065 - LEVER
101026E1080	BV10-2366E-PN16-DN080 - LEVER
101026E1100	BV10-2366E-PN16-DN100 - LEVER
101026E1125	BV10-2366E-PN16-DN125 - LEVER
101026E1150	BV10-2366E-PN16-DN150 - LEVER
101026E1200	BV10-2366E-PN16-DN200 - LEVER
101026E1250	BV10-2366E-PN16-DN250 - LEVER
101026E1300	BV10-2366E-PN16-DN300 - LEVER



DN/Size	H1	H2	H3	H4	L	L1	SQ	ISO	PCD	PCD1	n x d1	n x d2	Press.Cl.	Weight(kg)
DN32 (1 1/4")	57	110	22		33	165							PN16	1.70
DN40 (1 1/2")	68	111	22		33	165							PN16	1.90
DN50 (2")	71,4	142,7	22	12	43	266	11	F05/F07	70	50	4 x d10	4 x d7	PN16	3.30
DN65 (2 1/2")	77,8	155,4	22	12	46	266	11	F05/F07	70	50	4 x d10	4 x d7	PN16	3.80
DN80 (3")	89	161,8	22	12	46	266	11	F05/F07	70	50	4 x d10	4 x d7	PN16	4.10
DN100 (4")	102	178	22	12	52	266	14	F07	70		4 x d10		PN16	5.20
DN125 (5")	123	190,5	22	12	56	266	14	F07	70		4 x d10		PN16	7.10
DN150 (6")	138	205,2	22	12	56	266	14	F07	70		4 x d10		PN16	8.50
DN200 (8")	168	237	34,5	16	60	356	17	F10	102		4 x d12		PN16	16.00
DN250 (10")	207	268,3	34,5	16	68	356	22	F10	102		4 x d12		PN16	21.00
DN300 (12")	243,5	308,5	34,5	16	78	356	27	F12	125		4 x d14		PN16	31.00

Item 1	Item 2	Item 3	Item 4
Body Material	Seat Material	Disc Material	Actuator Material
Cast iron : GG25 + Epoxy coating	EPDM	Stainless steel : CF8M	Maellable iron

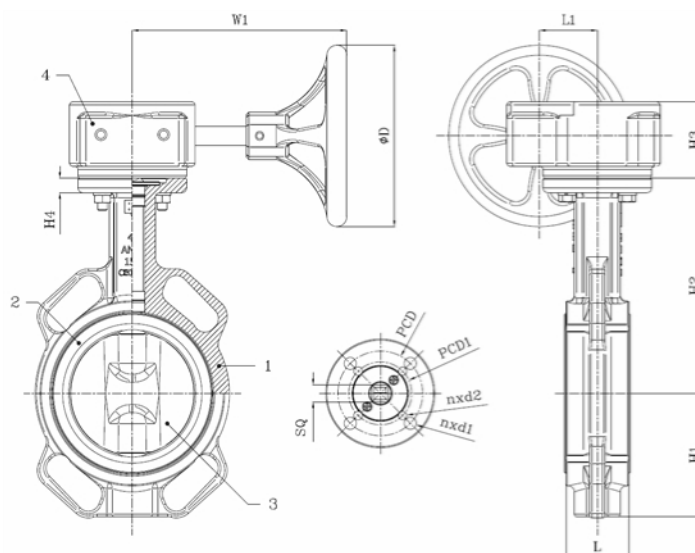
## BV10-2366E-PN10/PN16/A150 - Gearbox

Wafer type butterfly valve, mounting between flanges PN10/PN16/A150, with gearbox

Face to Face Standard: EN 558-1 Table 1 series 20



Item Number	Belven Ref
101026E3050	BV10-2366E-PN16-DN050 - GEARBOX
101026E3065	BV10-2366E-PN16-DN065 - GEARBOX
101026E3080	BV10-2366E-PN16-DN080 - GEARBOX
101026E3100	BV10-2366E-PN16-DN100 - GEARBOX
101026E3125	BV10-2366E-PN16-DN125 - GEARBOX
101026E3150	BV10-2366E-PN16-DN150 - GEARBOX
101026E3200	BV10-2366E-PN16-DN200 - GEARBOX
101026E3250	BV10-2366E-PN16-DN250 - GEARBOX
101026E3300	BV10-2366E-PN16-DN300 - GEARBOX



DN/Size	D	H1	H2	H3	L	L1	W1	SQ	ISO	PCD	PCD1	n x d1	n x d2	Press.Cl.	Weight(kg)
DN50 (2")	150	71,4	142,7	56,5	43	45	173,5	11	F05/F07	70	50	4 x d10	4 x d7	PN16	8.50
DN65 (2 1/2")	150	77,8	155,4	56,5	46	45	173,5	11	F05/F07	70	50	4 x d10	4 x d7	PN16	9.20
DN80 (3")	150	89	161,8	56,5	46	45	173,5	11	F05/F07	70	50	4 x d10	4 x d7	PN16	9.60
DN100 (4")	150	102	178	56,5	52	45	170	14	F07	70		4 x d10		PN16	11.10
DN125 (5")	150	123	190,5	56,5	56	45	170	14	F07	70		4 x d10		PN16	13.00
DN150 (6")	150	138	205,2	56,5	56	45	170	14	F07	70		4 x d10		PN16	13.80
DN200 (8")	300	168	237	80,5	60	63	237	17	F10	102		4 x d12		PN16	22.50
DN250 (10")	300	207	268,3	80,5	68	63	237	22	F10	102		4 x d12		PN16	29.00
DN300 (12")	300	243,5	308,5	80,5	78	78	225	27	F12	125		4 x d14		PN16	40.50

Item 1	Item 2	Item 3	Item 4
Body Material	Seat Material	Disc Material	Actuator Material
Cast iron : GG25 + Epoxy coating	EPDM	Stainless steel : CF8M	Cast iron

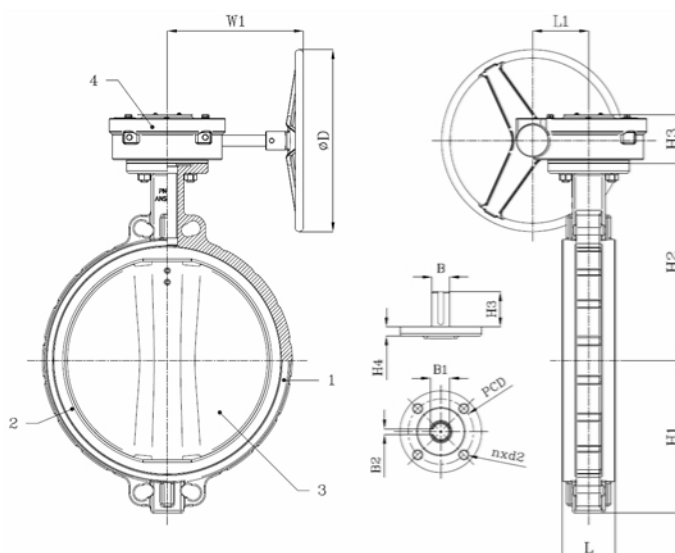
## BV10-2366E-PN10/A150 - Gearbox

Wafer type butterfly valve, mounting between flanges PN10/A150, with gearbox

Face to Face Standard: EN 558-1 Table 1 series 20



Item Number	Belven Ref
101026E3350	BV10-2366E-PN10-DN350 - GEARBOX
101026E3400	BV10-2366E-PN10-DN400 - GEARBOX
101026E3450	BV10-2366E-PN10-DN450 - GEARBOX
101026E3500	BV10-2366E-PN10-DN500 - GEARBOX
101026E3600	BV10-2366E-PN10-DN600 - GEARBOX



DN/Size	B	B1	B2	D	H1	H2	H3	H4	L	L1	W1	ISO	PCD	n x d1	Press.Cl.	Weight(kg)
DN350 (14")	28	31	8	300	259	368	82	20	78	80,5	224	F14	140	4 x d18	PN10	54.50
DN400 (16")	38	41	12	390	309	400	105,5	20	102	120,5	292	F14	140	4 x d18	PN10	87.00
DN450 (18")	38	41	12	390	327	422	105,5	20	114	120,5	292	F14	140	4 x d18	PN10	101.50
DN500 (20")	45	48,5	14	390	361	480	147	22	127	121,5	349	F16	165	4 x d23	PN10	149.00
DN600 (24")	55	58,5	14	390	459	562	147	22	154	121,5	337	F16	165	4 x d23	PN10	239.80

Item 1	Item 2	Item 3	Item 4
Body Material	Seat Material	Disc Material	Actuator Material
Cast iron : GG25 + Epoxy coating	EPDM	Stainless steel : CF8M	Cast iron

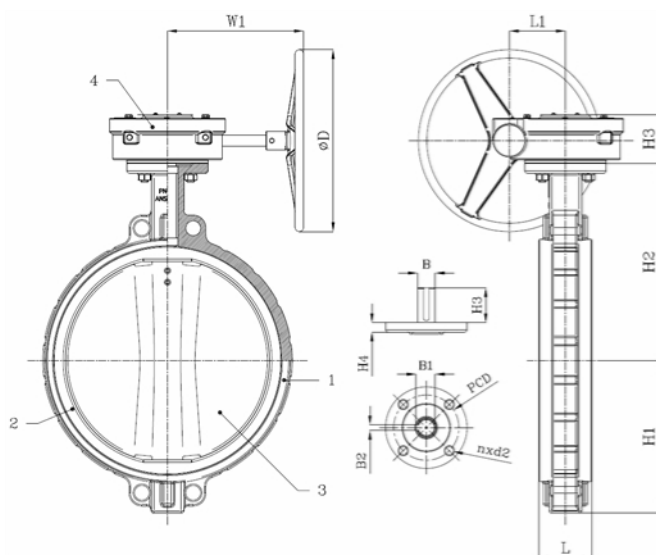
## BV10-2366E-PN16 - Gearbox

Wafer type butterfly valve, mounting between flanges PN16, with gearbox

Face to Face Standard: EN 558-1 Table 1 series 20



Item Number	Belven Ref
101126E3350	BV10-2366E-PN16-DN350 - GEARBOX
101126E3400	BV10-2366E-PN16-DN400 - GEARBOX
101126E3450	BV10-2366E-PN16-DN450 - GEARBOX
101126E3500	BV10-2366E-PN16-DN500 - GEARBOX
101126E3600	BV10-2366E-PN16-DN600 - GEARBOX



DN/Size	B	B1	B2	D	H1	H2	H3	H4	L	L1	W1	ISO	PCD	n x d1	Press.Cl.	Weight(kg)
DN350 (14")	28	31	8	300	259	368	82	20	78	80,5	224	F14	140	4 x d18	PN16	54.50
DN400 (16")	38	41	12	390	309	400	105,5	20	102	120,5	292	F14	140	4 x d18	PN16	87.00
DN450 (18")	38	41	12	390	327	422	105,5	20	114	120,5	292	F14	140	4 x d18	PN16	101.50
DN500 (20")	45	48,5	14	390	361	480	147	22	127	121,5	349	F16	165	4 x d23	PN16	149.00
DN600 (24")	55	58,5	14	390	459	562	147	22	154	121,5	337	F16	165	4 x d23	PN16	239.80

Item 1	Item 2	Item 3	Item 4
Body Material	Seat Material	Disc Material	Actuator Material
Cast iron : GG25 + Epoxy coating	EPDM	Stainless steel : CF8M	Cast iron

## BV10-2366E-PN10/PN16/A150 - Double Acting

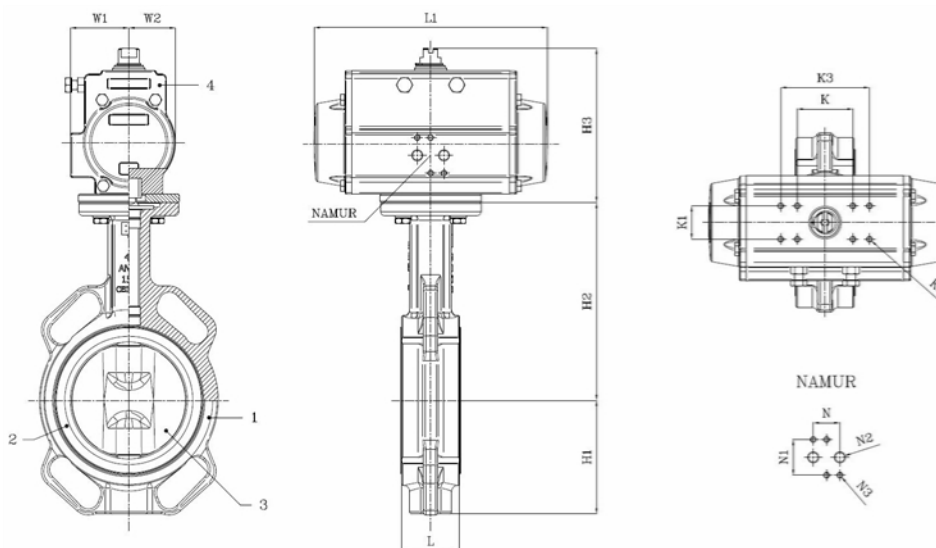
Wafer type butterfly valve, mounting between flanges PN10/PN16/A150, with double acting actuator

Face to Face Standard: EN 558-1 Table 1 series 20

The actuator is selected for 20°C water with a pressure drop of 6 bar with 6 bar supply air pressure and minimum 1 cycle per week



Item Number	Belven Ref
101026EDA20050	BV10-2366E-PN16-DN050 - DA052
101026EDA20065	BV10-2366E-PN16-DN065 - DA052
101026EDA20080	BV10-2366E-PN16-DN080 - DA063
101026EDA20100	BV10-2366E-PN16-DN100 - DA075
101026EDA20125	BV10-2366E-PN16-DN125 - DA075
101026EDA20150	BV10-2366E-PN16-DN150 - DA100
101026EDA20200	BV10-2366E-PN16-DN200 - DA115
101026EDA20250	BV10-2366E-PN16-DN250 - DA125
101026EDA20300	BV10-2366E-PN16-DN300 - DA140



DN/Size	H1	H2	H3	K	K1	K2	K3	L	L1	N	N1	W1	W2	N2	N3	Press.Cl.	Weight(kg)
DN50 (2")	71,4	142,7	113,5	80	30	M5		43	141	24	32	41	30	1/8"	M5	PN16	3.90
DN65 (2 1/2")	77,8	155,4	113,5	80	30	M5		46	141	24	32	41	30	1/8"	M5	PN16	4.60
DN80 (3")	89	161,8	125	80	30	M5		46	164	24	32	45	35,5	1/8"	M5	PN16	5.50
DN100 (4")	102	178	137	80	30	M5		52	210	24	32	52,5	42	1/8"	M5	PN16	8.20
DN125 (5")	123	190,5	137	80	30	M5		56	210	24	32	52,5	42	1/8"	M5	PN16	10.10
DN150 (6")	138	205,2	164,8	80	30	M5		56	275	24	32	68	55	1/4"	M5	PN16	13.60
DN200 (8")	168	237	205,9	80	30	M5	130	60	333	24	32	73	64	1/4"	M5	PN16	22.70
DN250 (10")	207	268,3	209,4	80	30	M5	130	68	372	24	32	80	68	1/4"	M5	PN16	30.30
DN300 (12")	243,5	308,5	232	80	30	M5	130	78	435	24	32	87,5	76,5	1/4"	M5	PN16	45.10

Item 1	Item 2	Item 3	Item 4
Body Material	Seat Material	Disc Material	Actuator Material
Cast iron : GG25 + Epoxy coating	EPDM	Stainless steel : CF8M	Extruded aluminium

## BV10-2366E-PN10/A150 - Double Acting

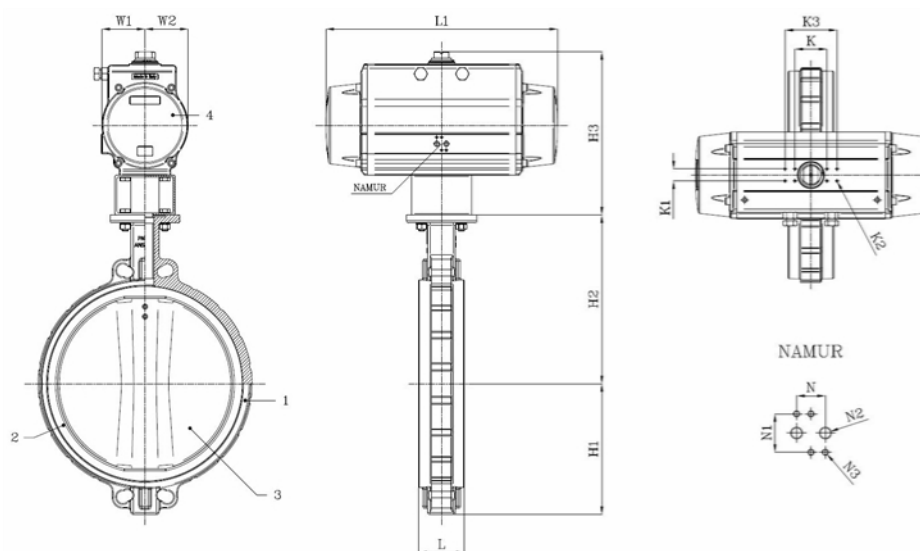
Wafer type butterfly valve, mounting between flanges PN10/A150, with double acting actuator

*Face to Face Standard:* EN 558-1 Table 1 series 20

The actuator is selected for 20°C water with a pressure drop of 6 bar with 6 bar supply air pressure and minimum 1 cycle per week



Item Number	Belven Ref
101026EDA20350	BV10-2366E-PN10-DN350 - DA160
101026EDA20400	BV10-2366E-PN10-DN400 - DA180
101026EDA20450	BV10-2366E-PN10-DN450 - DA200
101026EDA20500	BV10-2366E-PN10-DN500 - DA230
101026EDA20600	BV10-2366E-PN10-DN600 - DA230



DN/Size	H1	H2	H3	K	K1	K2	K3	L	L1	N	N1	W1	W2	N2	N3	Press.Cl.	Weight(kg)
DN350 (14")	259	368	331	80	30	M5	130	78	500	24	32	99	87	1/4"	M5	PN10	67.60
DN400 (16")	309	400	383	80	30	M5	130	102	493	24	32	115	98	1/4"	M5	PN10	77.70
DN450 (18")	327	422	408	80	30	M5	130	114	578,5	24	32	109	108	1/4"	M5	PN10	128.90
DN500 (20")	361	480	475	80	30	M5	130	127	690	24	32	124,5	124	1/4"	M5	PN10	162.70
DN600 (24")	459	562	475	80	30	M5	130	154	690	24	32	124,5	124	1/4"	M5	PN10	197.70

Item 1	Item 2	Item 3	Item 4
Body Material	Seat Material	Disc Material	Actuator Material
Cast iron : GG25 + Epoxy coating	EPDM	Stainless steel : CF8M	Extruded aluminium

## BV10-2366E-PN10/PN16/A150 - Single Acting (AFC)

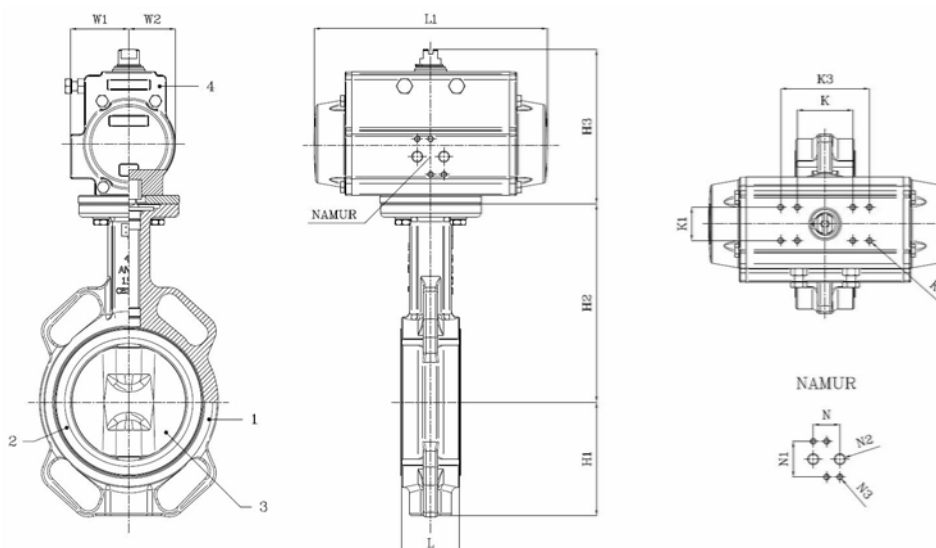
Wafer type butterfly valve, mounting between flanges PN10/PN16/A150, with spring return actuator AFC

*Face to Face Standard:* EN 558-1 Table 1 series 20

The actuator is selected for 20°C water with a pressure drop of 6 bar with 6 bar supply air pressure and minimum 1 cycle per week, at air pressure failure the springs will put the valve in closed position



Item Number	Belven Ref
101026ESR20050	BV10-2366E-PN16-DN050 - SR075
101026ESR20065	BV10-2366E-PN16-DN065 - SR075
101026ESR20080	BV10-2366E-PN16-DN080 - SR085
101026ESR20100	BV10-2366E-PN16-DN100 - SR100
101026ESR20125	BV10-2366E-PN16-DN125 - SR115
101026ESR20150	BV10-2366E-PN16-DN150 - SR125
101026ESR20200	BV10-2366E-PN16-DN200 - SR160
101026ESR20250	BV10-2366E-PN16-DN250 - SR180
101026ESR20300	BV10-2366E-PN16-DN300 - SR200



DN/Size	H1	H2	H3	K	K1	K2	K3	L	L1	N	N1	W1	W2	N2	N3	Press.Cl.	Weight(kg)
DN50 (2")	71,4	142,7	138,5	80	30	M5		43	210	24	32	52,5	42	1/8"	M5	PN16	7.00
DN65 (2 1/2")	77,8	155,4	138,5	80	30	M5		46	210	24	32	52,5	42	1/8"	M5	PN16	7.50
DN80 (3")	89	161,8	152,4	80	30	M5		46	240,5	24	32	58,5	47,5	1/8"	M5	PN16	9.20
DN100 (4")	102	178	165,2	80	30	M5		52	275	24	32	68	55	1/4"	M5	PN16	12.60
DN125 (5")	123	190,5	192,4	80	30	M5	130	56	333	24	32	73	64	1/4"	M5	PN16	18.90
DN150 (6")	138	205,2	204,4	80	30	M5	130	56	372	24	32	80	68	1/4"	M5	PN16	23.40
DN200 (8")	168	237	256	80	30	M5	130	60	500	24	32	99	87	1/4"	M5	PN16	47.30
DN250 (10")	207	268,3	363	80	30	M5	130	68	493	24	32	115	98	1/4"	M5	PN16	64.40
DN300 (12")	243,5	308,5	408	80	30	M5	130	78	578,5	24	32	109	108	1/4"	M5	PN16	88.10

Item 1	Item 2	Item 3	Item 4
Body Material	Seat Material	Disc Material	Actuator Material
Cast iron : GG25 + Epoxy coating	EPDM	Stainless steel : CF8M	Extruded aluminium

## BV10-2366E-PN10/A150 - Single Acting (AFC)

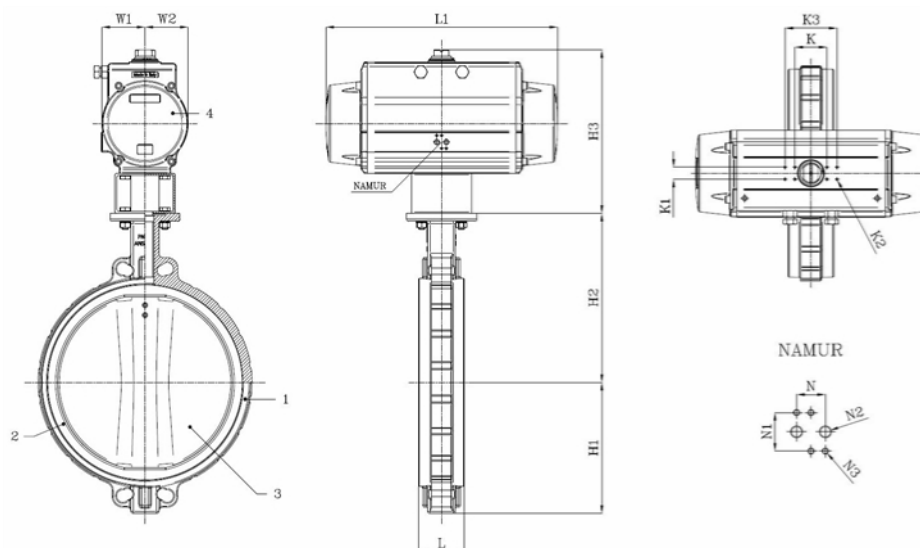
Wafer type butterfly valve, mounting between flanges PN10/A150, with single acting pneumatic actuator AFC

Face to Face Standard: EN 558-1 Table 1 series 20

The actuator is selected for 20°C water with a pressure drop of 6 bar with 6 bar supply air pressure and minimum 1 cycle per week, at air pressure failure the springs will put the valve in closed position



Item Number	Belven Ref
101026ESR20350	BV10-2366E-PN10-DN350 - SR230
101026ESR20400	BV10-2366E-PN10-DN400 - SR230
101026ESR20450	BV10-2366E-PN10-DN450 - SR270
101026ESR20500	BV10-2366E-PN10-DN500 - SR330
101026ESR20600	BV10-2366E-PN10-DN600 - SR330



DN/Size	H1	H2	H3	K	K1	K2	K3	L	L1	N	N1	W1	W2	N2	N3	Press.Cl.	Weight(kg)
DN350 (14")	259	368	475	80	30	M5	130	78	690	24	32	124,5	124	1/4"	M5	PN10	118.60
DN400 (16")	309	400	475	80	30	M5	130	102	690	24	32	124,5	124	1/4"	M5	PN10	128.90
DN450 (18")	327	422	548	80	30	M5	130	114	672	32	24	145	145	1/4"	M5	PN10	195.60
DN500 (20")	361	480	675	130	30	M5		127	881	45	40	201	201	1/2"	M6	PN10	314.20
DN600 (24")	459	562	675	130	30	M5		154	881	45	40	201	201	1/2"	M6	PN10	349.20

Item 1	Item 2	Item 3	Item 4
Body Material	Seat Material	Disc Material	Actuator Material
Cast iron : GG25 + Epoxy coating	EPDM	Stainless steel : CF8M	Extruded aluminium



## BV10-2366E-PN10/PN16/A150 - Electric 110/240V

### AC

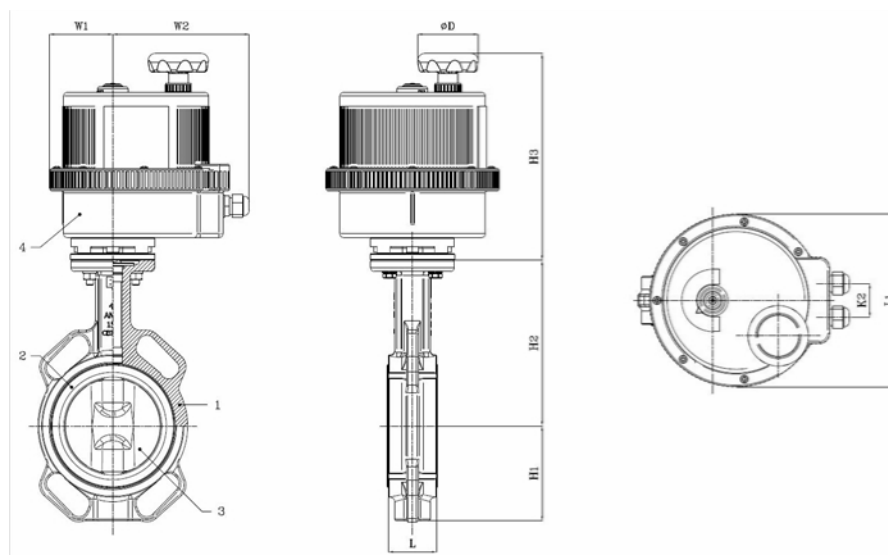
Wafer type butterfly valve, mounting between flanges PN6/PN10/PN16/A150, with electric actuator

*Face to Face Standard:* EN 558-1 Table 1 series 20

The actuator is selected for 20°C water with a pressure drop of 6 bar and minimum 1 cycle per week - 110/240V AC



Item Number	Belven Ref
101026EXVV0050	BV10-2366E-PN16-DN050 - VB030 110/240VAC
101026EXVV0065	BV10-2366E-PN16-DN065 - VB030 110/240VAC
101026EXVV0080	BV10-2366E-PN16-DN080 - VB060 110/240VAC
101026EXVV0100	BV10-2366E-PN16-DN100 - VB060 110/240VAC
101026EXVV0125	BV10-2366E-PN16-DN125 - VB110 110/240VAC
101026EXVV0150	BV10-2366E-PN16-DN150 - VB190 110/240VAC
101026EXVV0200	BV10-2366E-PN16-DN200 - VB270 110/240VAC
101026EXVV0250	BV10-2366E-PN16-DN250 - VB350 110/240VAC



DN/Size	D	H1	H2	H3	K2	L	L1	W1	W2	Press.Cl.	Weight(kg)
DN50 (2")	65	71,4	142,7	200	36	43	157	60,5	129,5	PN16	5.20
DN65 (2 1/2")	65	77,8	155,4	200	36	46	157	60,5	129,5	PN16	5.70
DN80 (3")	65	89	161,8	227	36	46	185	67,5	146,5	PN16	7.00
DN100 (4")	65	102	178	221	36	52	185	67,5	146,5	PN16	8.10
DN125 (5")	110	123	190,5	232,1	40	56	211	84	153	PN16	11.30
DN150 (6")	110	138	205,2	232,1	40	56	211	84	153	PN16	12.70
DN200 (8")	110	168	237	247	40	60	222	77	170	PN16	21.70
DN250 (10")	110	207	268,3	247	40	68	222	77	170	PN16	26.80

Item 1	Item 2	Item 3	Item 4
Body Material	Seat Material	Disc Material	Actuator Material
Cast iron : GG25 + Epoxy coating	EPDM	Stainless steel : CF8M	Self-extinguishing polymer